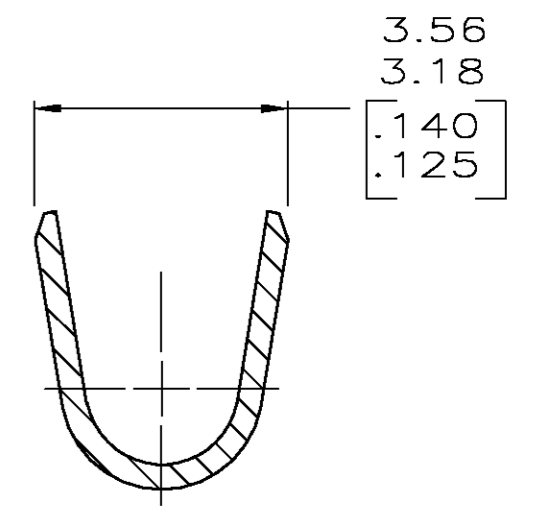
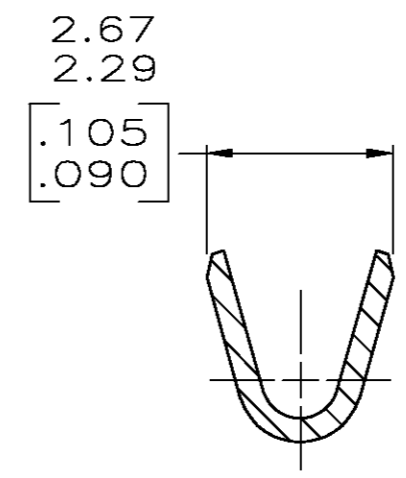
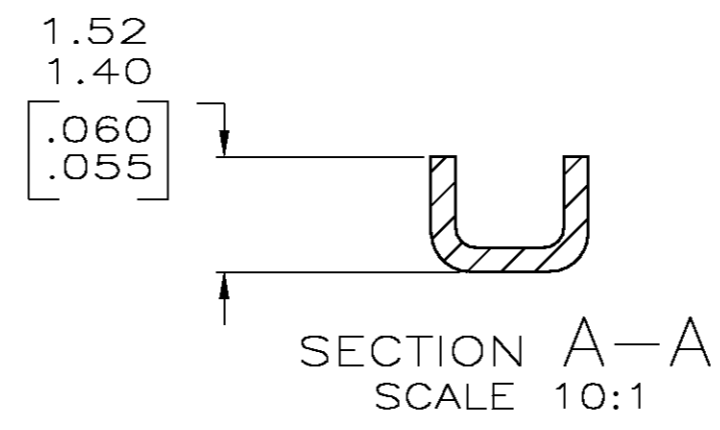
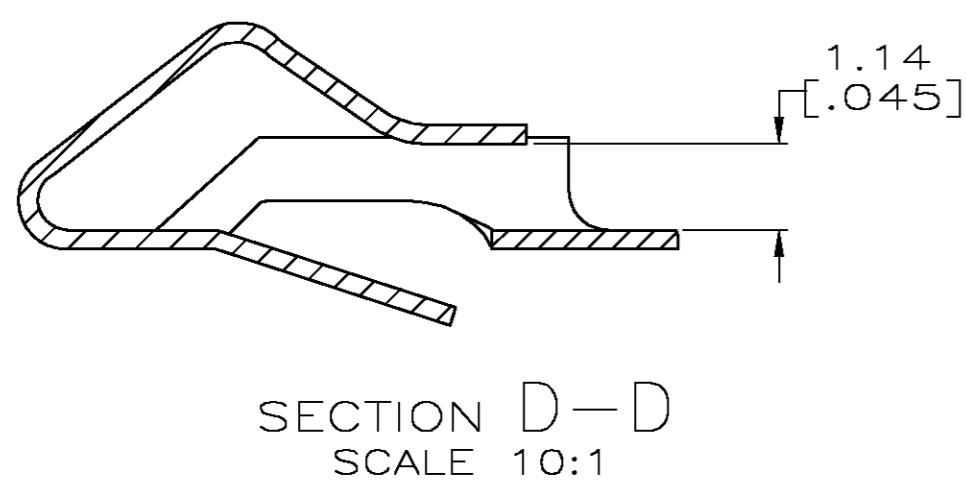
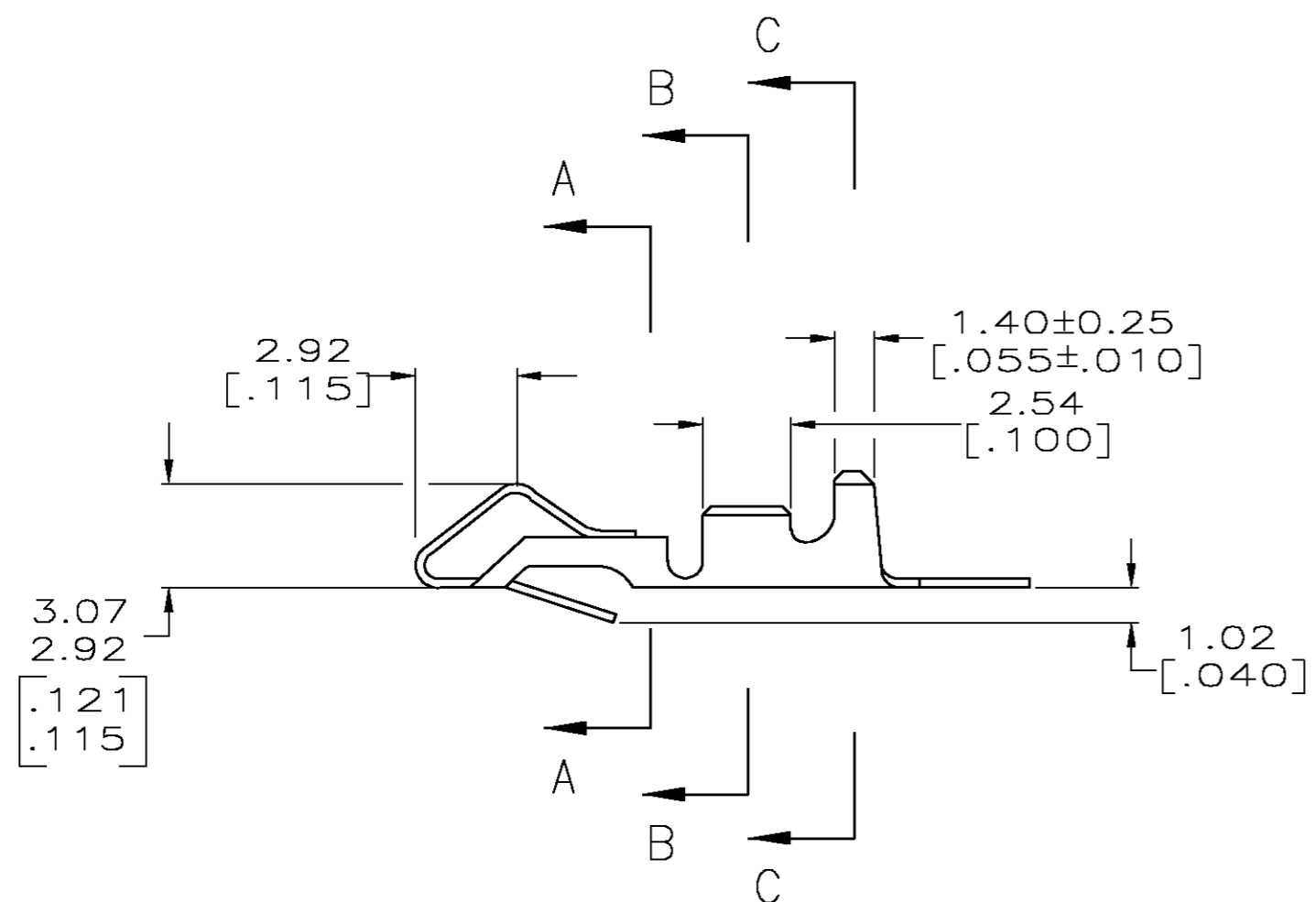
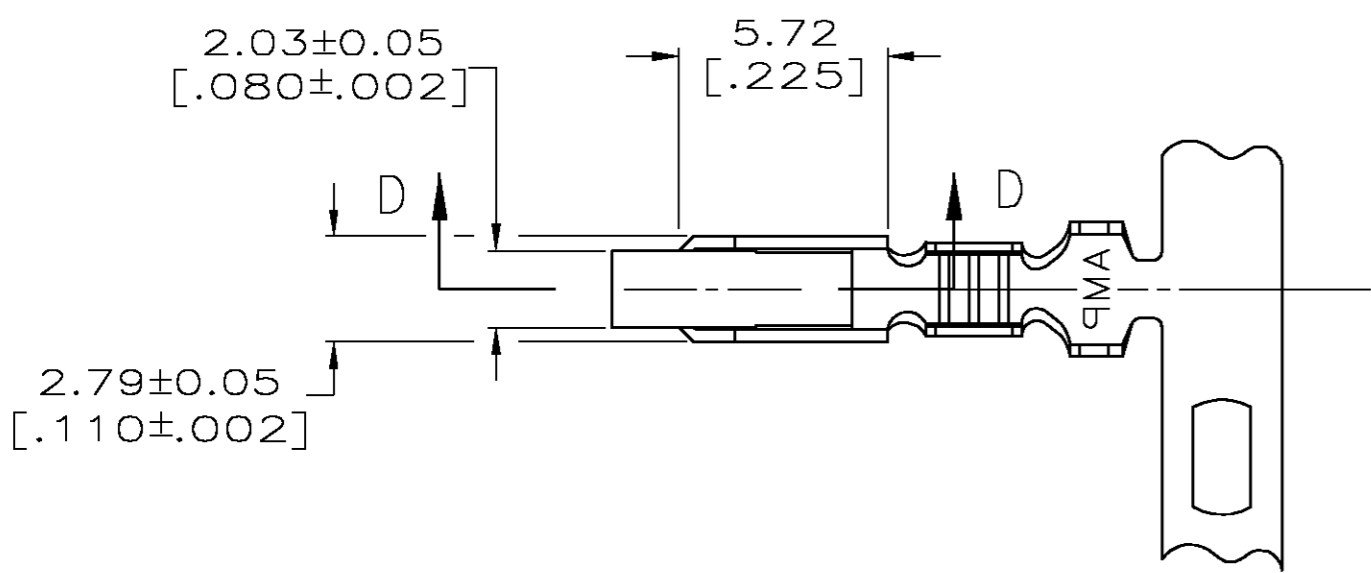


THIS DRAWING IS UNPUBLISHED. RELEASED FOR PUBLICATION
 © COPYRIGHT BY TYCO ELECTRONICS CORPORATION. ALL RIGHTS RESERVED.

LOC	DIST	REVISIONS			
P	LTR	DESCRIPTION	DATE	DWN	APVD
CM	00	W	REV PER ECN 0G3B-03B3-03	21AUG03	SC JE

- ① 0.00203 [.000080] MIN BRIGHT TIN-LEAD OVER
0.00127 [.000050] MIN NICKEL.
- ② 0.00330 [.000130] MAX PRE-TIN.
- ③ 0.00013 [.000005] GOLD OVER 0.00127 [.000050]
MIN NICKEL ALL OVER AND 0.00076 [.000030] MIN
GOLD ON CONTACT AREA.
- 4. WIRE RANGE: 0.2-0.9mm² (24-18 AWG).
INSULATION RANGE: 2.79 [.110] DIA MAX.
- 5. DIMENSIONS IN BRACKETS ARE IN INCHES.
- ⑥ 0.00203 [.000080] MIN BRIGHT TIN OVER
0.00127 [.000050] MIN NICKEL.



MINI	SEE 3-640706-1	⑥	3-640252-1
MINI	SEE 640706-2	②	640252-2
MINI	SEE 640706-1	①	640252-1
APPLICATOR	LOOSE PIECE	FINISH	PART NO

METRIC

THIS DRAWING IS A CONTROLLED DOCUMENT.		DWN S. CARPENTER 21AUG2003	Tyco Electronics Corporation Harrisburg, PA 17105	
DIMENSIONS: INCHES	TOLERANCES UNLESS OTHERWISE SPECIFIED:	CHK J. ELLIS 21AUG2003	NAME RECEPTACLE, SL-156	
	0 PLC ±	APVD J. ELLIS 21AUG2003	SIZE A2	CAGE CODE 00779
	1 PLC ±	PRODUCT SPEC	DRAWING NO C=640252	
MATERIAL 0.33 [.013] BRASS	FINISH SEE TABLE	APPLICATION SPEC	RESTRICTED TO	—
		WEIGHT	SCALE 5:1	SHEET 1 OF 1
		CUSTOMER DRAWING	REV W	

A/C BUSINESS GROUP 3323 177-34 'KIM SALMON'

640252